

Order Codes

Re-Order Code	Product Description
10430U	GB6 Night Bag - Prescription

Night Stands

It is recommended that you use a night stand or bedside hanger to support the GB6 in use.

Re-Order Code	Product Description
10705P	Flat Pack Hanger
10708S	3 in 1 Metal Night Stand
10700J*	Hospital Bed Hanger

* For hospital use only



Products available through Nightingale Home Delivery Service

1. Call **Freephone 0800 318 559** or **02920 747 770**.
2. Please ensure you have your GP details to hand.
3. Tell us which products are required and how many.

That's all – We will do everything else!

Please make sure you have at least two week's supply in hand before re-ordering.

Complimentary Items Available:

- Hand Gels
- Radar Keys
- Wet and Dry Wipes
- Disposable Bags
- Night Stands
- Sponge Bag



GB6 Night Bag

Instructions for use



Do not use if packaging is damaged



Latex Free



Box is Recyclable



Wash Hands



Min/Max Temperature



Keep Dry

STERILE | EO

Great Bear Healthcare Ltd
1 Lambourne Crescent,
Cardiff Business Park,
Cardiff, CF14 5GF
T +44 (0) 29 2074 7770

mail@gbhl.co.uk
www.greatbearhealthcare.co.uk

GB6FUV2/2019



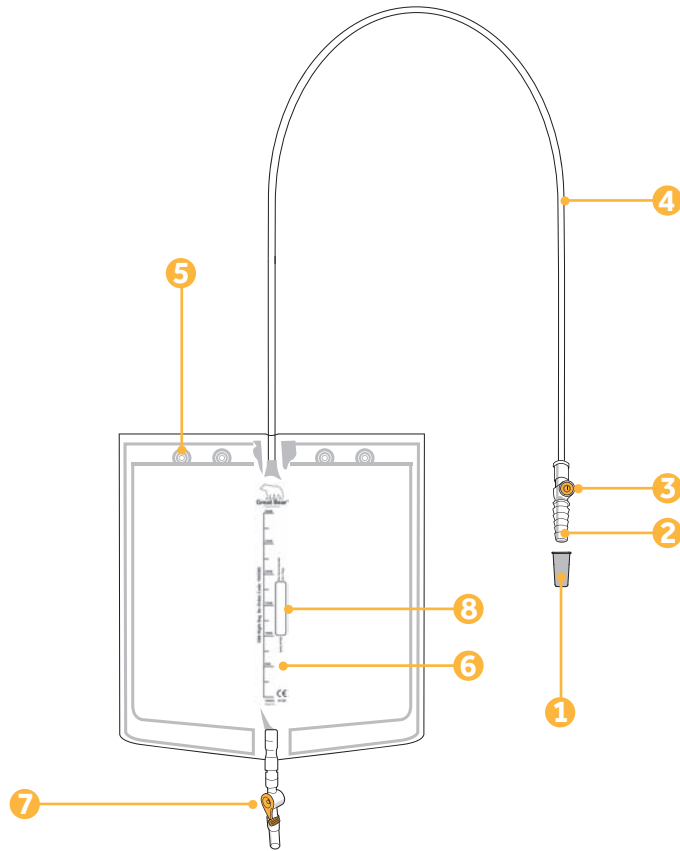
A UK manufacturer committed to Urology.

Your GB6 Night Bag

GB6 Night Bag is a 3 litre bag.

GB6 Night Bags should be connected directly to a Catheter for continuous drainage and should only be disconnected when a new bag is required - normally every 5-7 days.

If additional drainage is required the GB6 can be connected to a Libra® Leg Bag.



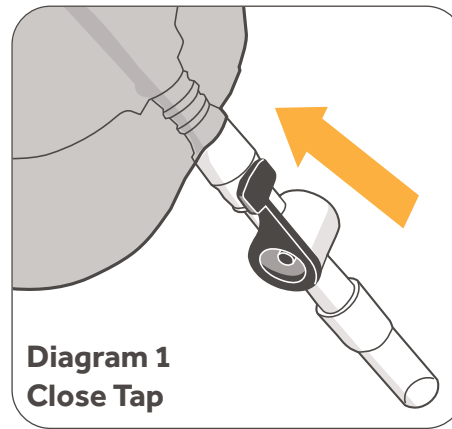
Key	
1	Protective Cap
2	Ridged Inlet Connector
3	Needle Free Sample Port
4	Inlet Tube
5	Hanger Holes
6	Graduated Scale*
7	Outlet Tap
8	Date Fitted Box

* The graduated scale is an approximation and should not be used for accurate measurement of urine output

Instructions For Use

Before Use

- 1) Wash Hands
- 2) Open peel pouch and remove GB6 Night Bag from its packaging
- 3) Ensure the lever on the outlet tap (7) is in the closed position (Diagram 1)
- 4) Remove the grey protective cap (1) from the GB6 inlet connector (2)

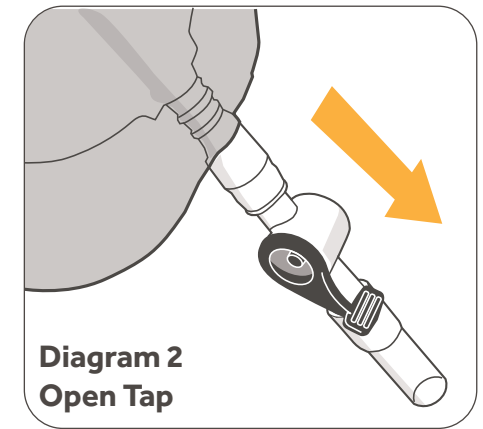


Direct Connection

- 1) Insert the ridged inlet connector (2) into the end of the Indwelling Catheter or Sheath. Insert the connector fully to allow a secure connection
- 2) The GB6 should be positioned on a night stand using the hanger holes (5) located at the top of the GB6
- 3) Ensure the GB6 is positioned on a night stand at a level below the bladder for optimal drainage
- 4) Make sure the inlet tubing (4) isn't kinked which can restrict the flow of urine

Emptying

- 1) Empty the GB6 by pushing the lever on the outlet tap (7) downwards (Diagram 2)
- 2) After emptying, wrap the outlet tap with a tissue and pat a number of times before gently wiping around and inside the valve. This will dislodge any residual urine
- 3) Remember to close the tap after emptying (Diagram 1)



Storage and Disposal

- 1) The GB6 Night Bag should be stored at an ambient temperature and allowed to come to room temperature before use
- 2) Dispose with normal household waste – do not flush down the toilet

Cautions

- Ensure you fill in the Date Fitted Box (8) to allow you to monitor how long the GB6 has been in use. Change the GB6 every 5-7 days
- Do not reuse the GB6 after disconnection
- Keep out of the reach of children