

Order Codes

Re-Order Code	Product Description
10402Y	GB4 Fold Up Night Bag – Prescription
10403Z	GB4 Fold Up Night Bag – Hospital

Night Stands

It is recommended that you use a night stand or bedside hanger to support the GB4 Fold Up in use.

Re-Order Code	Product Description
10705P	Flat Pack Hanger
10708S	3 in 1 Metal Night Stand
10700J*	Hospital Bed Hanger

* For hospital use only



Do not use if packaging is damaged



Latex Free



Box is Recyclable



Wash Hands



Min/Max Temperature



Keep Dry

STERILE | EO



Putting Patients First

Products available through Nightingale Home Delivery Service

1. Call **Freephone 0800 318 559** or **02920 747 770**.
2. Please ensure you have your GP details to hand.
3. Tell us which products are required and how many.

That's all – We will do everything else!

Please make sure you have at least two week's supply in hand before re-ordering.

Complimentary Items Available:

- Hand Gels
- Radar Keys
- Wet and Dry Wipes
- Disposable Bags
- Night Stands
- Sponge Bag



GB4 Fold Up Night Bag

Instructions for use

Great Bear Healthcare Ltd
1 Lambourne Crescent,
Cardiff Business Park,
Cardiff, CF14 5GF
T +44 (0) 29 2074 7770

mail@gbhl.co.uk
www.greatbearhealthcare.co.uk

GB4FOLDUPIFUV2/2019



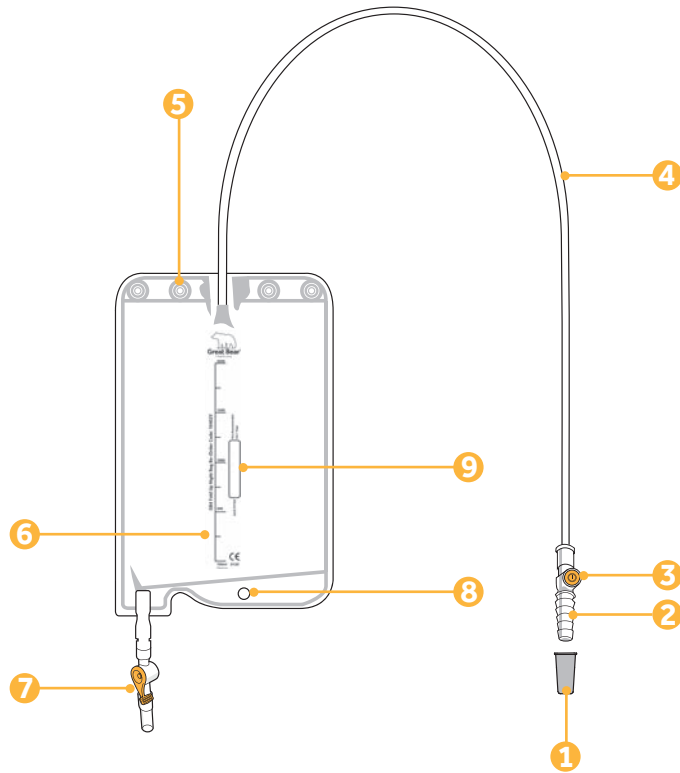
A UK manufacturer committed to Urology.

Your GB4 Fold Up Night Bag

GB4 Fold Up Night Bag is a 2 litre bag.

GB4 Fold Up Night Bags should be connected directly to a Catheter for continuous drainage and should only be disconnected when a new bag is required - normally every 5-7 days.

If additional drainage is required the GB4 Fold Up can be connected to a Libra® Leg Bag.



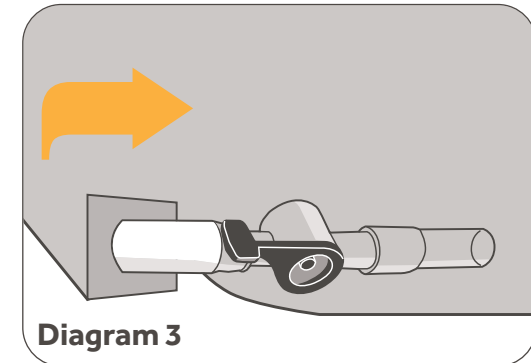
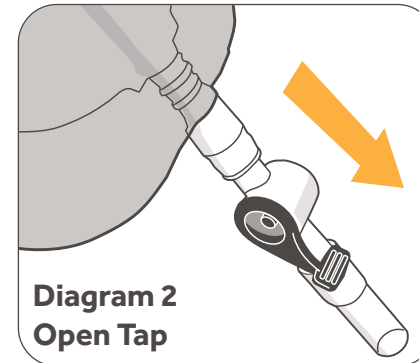
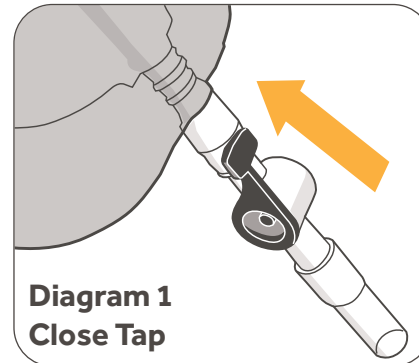
Key	
1 Protective Cap	6 Graduated Scale*
2 Ridged Inlet Connector	7 Outlet Tap
3 Needle Free Sample Port	8 Pre-cut Tap Hole
4 Inlet Tube	9 Dated Fitted Box
5 Hanger Holes	

* The graduated scale is an approximation and should not be used for accurate measurement of urine output

Instructions For Use

Before Use

- 1) Wash Hands
- 2) Open peel pouch and remove GB4 Fold Up Night Bag from its packaging
- 3) Ensure the lever on the outlet tap (7) is in the closed position (Diagram 1)
- 4) Remove the grey protective cap (1) from the GB4 Fold Up inlet connector (2)



Direct Connection

- 1) Insert the ridged inlet connector (2) into the end of the Indwelling Catheter or Sheath. Insert the connector fully to allow a secure connection
- 2) The GB4 Fold Up should be positioned on a night stand using the hanger holes (5) located at the top of the GB4 Fold Up
- 3) Ensure the GB4 Fold Up is positioned on a night stand at a level below the bladder for optimal drainage
- 4) Make sure the inlet tubing (4) isn't kinked which can restrict the flow of urine
- 5) To prevent the outlet tap from coming into contact with the floor and other contaminated surfaces, the tap can be folded up into the pre-cut tap hole (8) at the bottom of the bag (Diagram 3)

Emptying

- 1) Empty the GB4 Fold Up by pushing the lever on the outlet tap (7) downwards (Diagram 2)
- 2) After emptying, wrap the outlet tap with a tissue and pat a number of times before gently wiping around and inside the valve. This will dislodge any residual urine
- 3) Remember to close the tap after emptying (Diagram 1)

Storage and Disposal

- 1) The GB4 Fold Up Night Bag should be stored at an ambient temperature and allowed to come to room temperature before use
- 2) Dispose with normal household waste – do not flush down the toilet

Cautions

- Ensure you fill in the Date Fitted Box (9) to allow you to monitor how long the GB4 Fold Up has been in use. Change the GB4 Fold Up every 5-7 days
- Do not reuse the GB4 Fold Up after disconnection
- Keep out of the reach of children